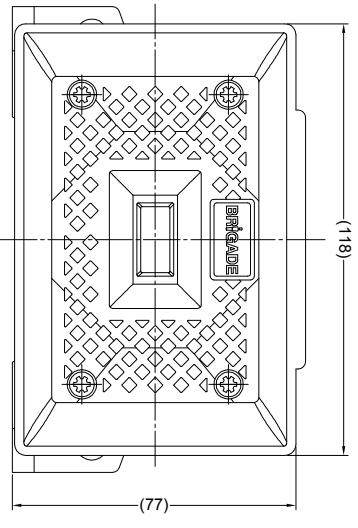
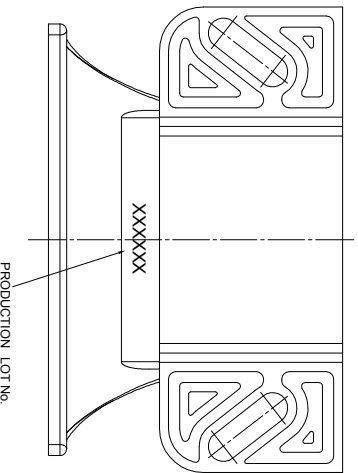
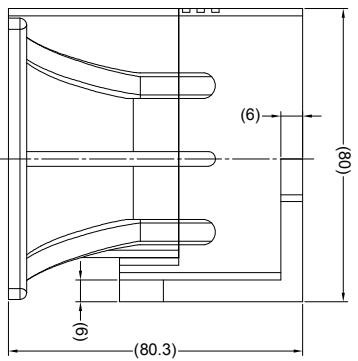
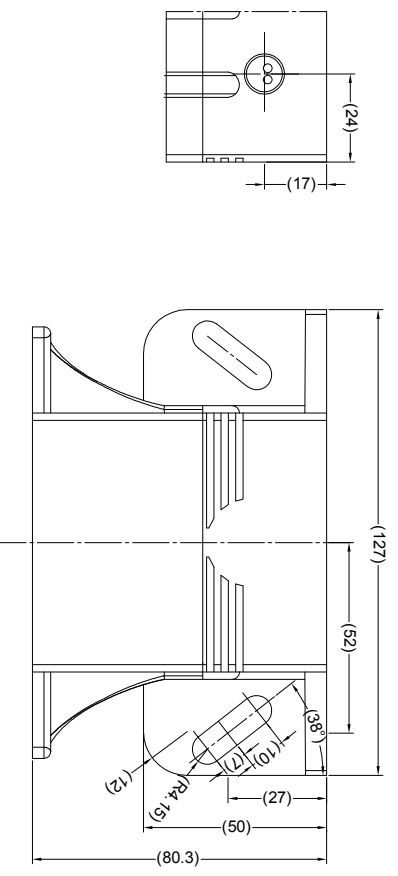
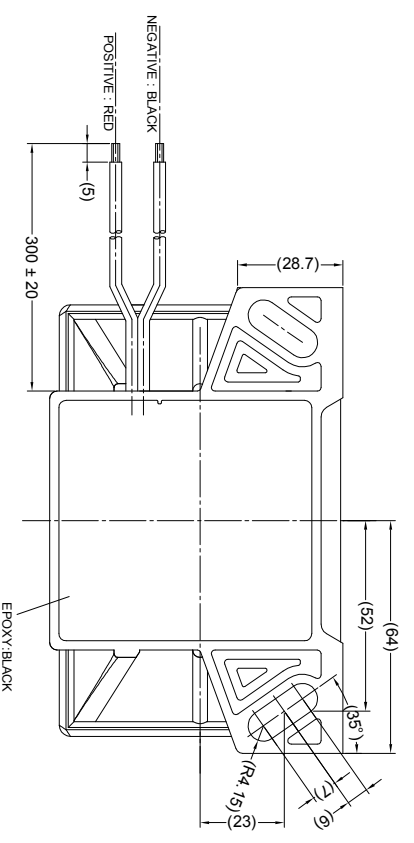


Revision Notes			
R1 - NOTES UPDATED TO INCLUDE LABEL DETAILS AS PER ECR CR-4274.			
AP: A. KILDA	Drawer: BATES	Checked: M. BUTLER	Approved: G. LITH
			Date: 28/08/14



- SPECIFICATION**
1. RATED VOLTAGE: DC 12-24V (WORKING VOLTAGE RANGE 9 ~ 32 V)
  2. RATED CURRENT: 0.3 AMPERES OR LESS.
  3. SOUND PRESSURE: 97±4dB AT TEST VOLTAGE OF 14 AND 28 VOLTS. (AS MEASURED AT A DISTANCE OF 1.2m AND AT A HEIGHT OF 1.2m ABOVE THE GROUND)
  4. FREQUENCY: 1900±200Hz AT TEST VOLTAGES 14 AND 28 VOLTS.
  5. INTERMITTENCE: 80±10 CYCLES PER MINUTE AT TEST VOLTAGES OF 14 AND 28 VOLTS.
  6. DURABILITY: CONTINUOUS 500 HOURS AT TEST VOLTAGE OF 32 VOLTS.
  7. TEMPERATURE RANGE: -40°C ~ 85°C.
  8. WATER RESISTANCE: TO RESIST WATER AND BE ABNORMALITY-FREE AS TESTED TO ITEM 1, JIS D0203.
  9. VIBRATION RESISTANCE: PER SAE J994.
  10. SURGE VOLTAGE TEST: TO BE ABNORMALITY-FREE AS TESTED SUBJECT TO ISOT637 ITEM 3a.3b. 5.
  11. OTHERS: MEETS REQUIREMENTS OF SAE J994.

- NOTES:**
1. FOR PRODUCT LABEL REFER TO LATEST REVISION OF BE-002833-XX-14.
  2. FOR GIFTBOX LABEL REFER TO LATEST REVISION OF BE-002834-XX-14.
  3. "R TRIANGLE" INDICATES CHANGES MADE TO REVISION OF DRAWING AS IDENTIFIED IN NOTES.



**PROPRIETARY NOTICE**  
 THIS DESIGN AND TECHNICAL INFORMATION APPEARING ON THIS DRAWING IS THE PROPERTY OF BRIGADE ELECTRONICS, AND IS DISCLOSED IN CONFIDENCE. IT IS NOT TO BE COPIED, REPRODUCED, REVEALED TO OR EXPLOITED BY OTHERS, EITHER IN WHOLE OR IN PART WITHOUT THE EXPRESS WRITTEN CONSENT OF BRIGADE ELECTRONICS.

**BRIGADE®**  
 www.brigade-electronics.com

 Third Angle	Assembly PI Approval	Approved by	Checked by	Drawn by
	-	DKERAL	DKERAL	BKHEZR
Angle of Projection	Units	Scale	Released	Assembly Ref
-	mm	N/A	15/06/04	-
Status RELEASED	Part No	BA-660		
#1344	BE-000179-01-04			

